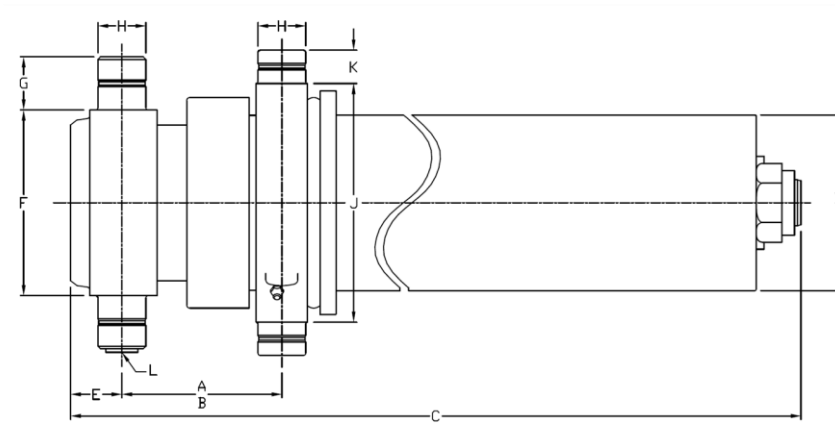


Technical information



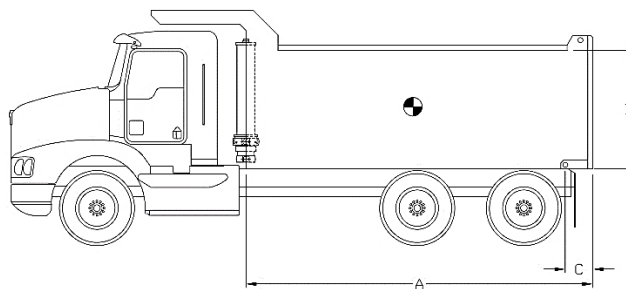
| Dimensions | Imperial | Metric |
|------------|-----------|----------|
| A (stroke) | 128,25 in | 3 258 mm |
| B (closed) | 5,56 in | 141 mm |
| C | 55,31 in | 1 405 mm |
| D | 5,56 in | 141 mm |
| E | 2,00 in | 51 mm |
| F | 5,75 in | 146 mm |
| G | 2,00 in | 51 mm |
| H | 1,88 in | 48 mm |
| J | 8,00 in | 203 mm |
| K | 1,25 in | 32 mm |
| L | SAE-12 | |

| Stage | Effective diameter | | Effective area | | Stroke | |
|-------|--------------------|--------|-----------------------|-----------------------|----------|----------|
| 1 | 4,250 in | 108 mm | 14,19 in ² | 9 152 mm ² | 42,19 in | 1 072 mm |
| 2 | 3,500 in | 89 mm | 9,62 in ² | 6 207 mm ² | 42,69 in | 1 084 mm |
| 3 | 2,750 in | 70 mm | 5,94 in ² | 3 832 mm ² | 43,38 in | 1 102 mm |

| Specifications | Imperial | Metric |
|---------------------------------|---------------|-----------|
| Weight without hydraulic fluid | 259 lb | 118 kg |
| Hydraulic fluid volume | 7,1 gal. (US) | 27 l |
| Maximum working pressure | 2 750 psi | 190 bar |
| Maximum pump flow | 25 gpm | 95 lpm |
| Cylinder design limit capacity* | 23,4 US tons | 21 228 kg |

| Installation components | Model | Part no. |
|-------------------------|-------------|-------------|
| Block | B-1875 | PB3005002-A |
| Frame | AC-4024 | PF3000012 |
| Hinge | P-200 PEL-T | PP3004010 |

Cylinder capacity



A = Body Length
 B = Body height
 C = Overhang

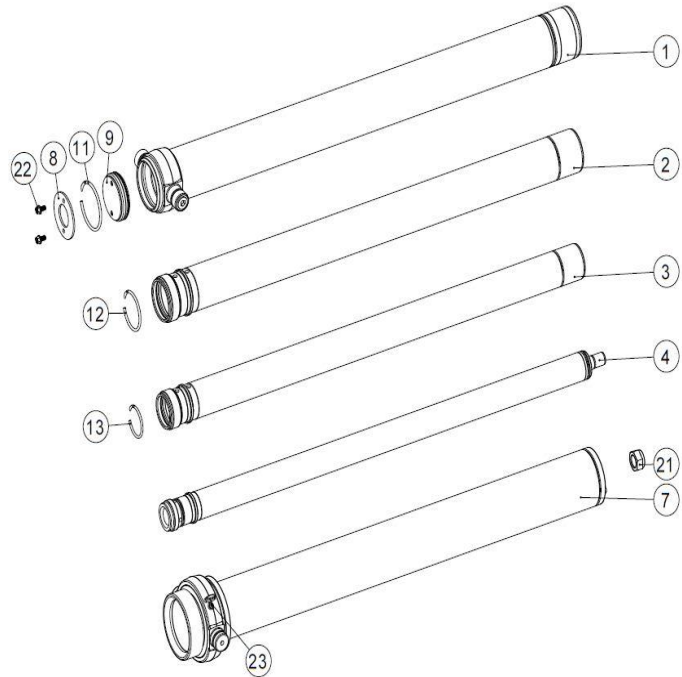
| Note: | Body length | 13,5 ft | | 14,5 ft | | 15,5 ft | |
|---|-------------|--|-------------|-------------|-------------|-------------|-------------|
| Cylinder capacities based on 90% of the maximum working pressure. | Overhang | 0 in | 6 in | 6 in | 12 in | 12 in | 18 in |
| | Dump angle | 46,8° | 48,7° | 45,0° | 46,8° | 43,4° | 45,0° |
| | Body height | Capacities for different box length configuration in US tons at 2000 psi (at 2750 psi) | | | | | |
| For reference only. See www.mailhotindustries.com | 36 in | 13,7 (18,8) | 14,7 (20,2) | 14,0 (19,2) | 15,0 (20,6) | 14,3 (19,7) | 15,3 (21,0) |
| | 48 in | 14,4 (19,8) | 15,6 (21,4) | 14,7 (20,2) | 15,8 (21,8) | 15,0 (20,6) | 16,1 (22,2) |
| | 60 in | 15,2 (20,9) | 16,6 (22,8) | 15,5 (21,3) | 16,8 (23,1) | 15,7 (21,6) | 17,1 (23,5) |

* See product manual

Subject to change without notice, all rights reserved.

| Item | Part no. | Description |
|------|----------|-------------|
|------|----------|-------------|

| | | |
|---|-------------|---------------------|
| 1 | ROV051043-A | BASE TUBE Ø5,06 |
| 2 | RMG042284-A | SECTION Ø4-1/4 |
| 3 | RMG035285-A | SECTION Ø3-1/2 |
| 4 | RNV027087-A | LAST SECTION Ø2-3/4 |
| 7 | RK056173-A | COVER TUBE ASSEMBLY |
| 8 | RFG046031 | END CAP Ø4-5/8 |
| 9 | RFG046032 | END CAP Ø4-5/8 |

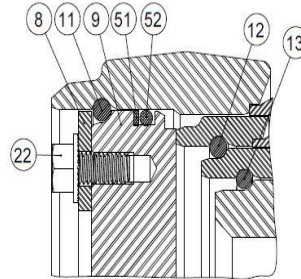


Snap ring kit Part no. : XB19G0423

| Item | Description |
|------|------------------|
| 11 | SNAP RING Ø4-5/8 |
| 12 | SNAP RING Ø3-3/4 |
| 13 | SNAP RING Ø3 |

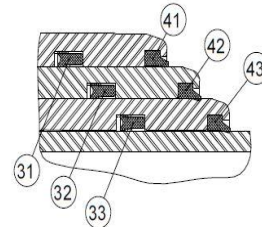
Hardware kit Part no. : ZX02G0423

| Item | Description |
|------|---|
| 21 | STOVER NUT Ø1-1/4-12 NF GRADE C |
| 22 | SERRATED FLANGE HHS GRADE 5 Ø3/8-16 NC X 3/4 LG |
| 23 | GREASE FITTING STRAIGHT 1/8 NPT |



Seal kit Part no. : UI47G0423

| Item | Description |
|------|--------------------------------|
| 31 | U-CUP DZ Ø4-5/8 X Ø4-1/4 X 3/8 |
| 32 | U-CUP DZ Ø3-7/8 X Ø3-1/2 X 3/8 |
| 33 | U-CUP DZ Ø3-1/8 X Ø2-3/4 X 3/8 |
| 41 | WIPER DT Ø4-1/4 |
| 42 | WIPER DT Ø3-1/2 |
| 43 | WIPER DT Ø2-3/4 |
| 51 | BACK-UP RING Ø4-5/8 X Ø4-1/4 |
| 52 | O-RING Ø4-5/8 X Ø4-1/4 |



* See product manual

Subject to change without notice, all rights reserved.